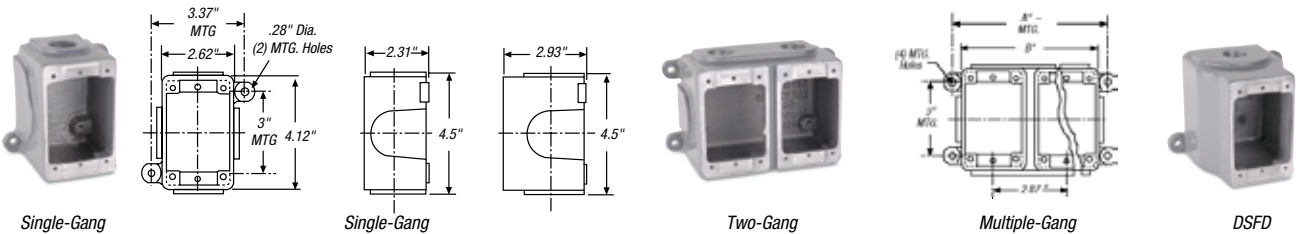


DuraTite® and Ever-Lok® Locking Connections

Mounting Options for Midget and Standard Ever-Lok®

Type FS (Shallow) and Type FD (Deep)

Aluminum boxes have 6-32 cover mounting holes tapped to accommodate all FS and FD cover assemblies.
 Brass boxes have 10-24 cover mounting holes tapped to accommodate all FS and FD cover assemblies.



GANGS	TYPE	CAST ALUMINUM	CAST BRASS	OVERALL DIMENSIONS*
Single	FS	3701A	3721-RS	4.12" x 2.62" x 2.31"
	FD	3711A	3731-RS	4.12" x 2.62" x 2.94"
	DSFD	3781A	—	4.12" x 3.62" x 4.12"
Two	FS	3702A	3722-RS	4.12" x 5.5" x 2.25"
	FD	3712A	3732-RS	4.12" x 5.62" x 2.87"

* Dimensions are overall exclusive of conduit pads and mounting lugs.

Notes:

When Type FD devices are to be mounted in boxes, Type FD boxes should be used. FS boxes will not accommodate FD devices.

Mounting — All the above boxes are for surface mounting. For flush mounting, see page H-424.

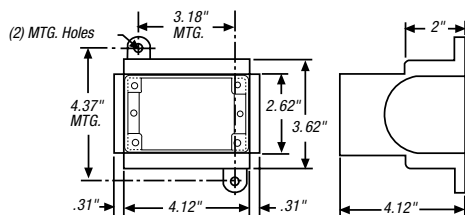
Boxes — Cast brass, natural finish; cast aluminum, corrosion-resistant copper-free alloy, epoxy powder coat finish.

Conduit Entries — Unless otherwise specified, furnished with one .75" outlet per gang, top or bottom. Additional conduit entries available — see price list. Specify size and location.

Maximum Conduit — FS and FD: 1", one per gang top and bottom and one each side.

DSFD — One 1.5" or two .5" top and bottom. Cast iron available on special order — consult your Thomas & Betts representative.

DSFD

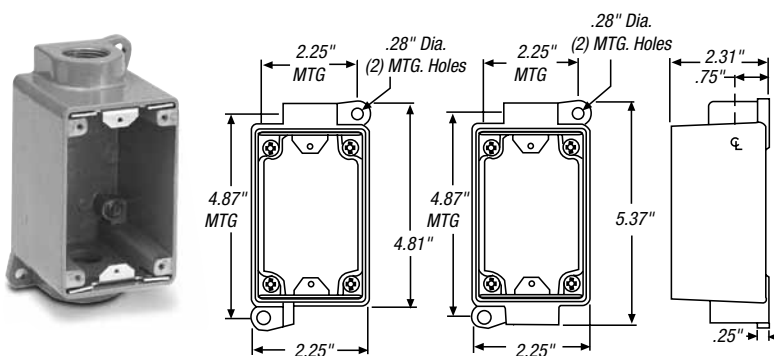


Multiple-Gang Dimensions

GANGS	A		B	
	FS	FD	FS	FD
2-Gang	6.50"	6.50"	5.50"	5.62"
3-Gang	11.25"	9.37"	10.37"	8.50"
4-Gang	14.12"	12.25"	13.25"	11.37"

Type FSWS and FDWS (with Mounting Shelf for Box-Mounted Devices)

Aluminum Die-Cast Boxes with cover mounting holes tapped for 6-32 screws to accommodate all FS and FD cover assemblies.



CAT. NO.	CONDUIT ENTRIES	
	TOP	BOTTOM
FSWS-62	¾"	NA
FDWS-62	¾"	NA
FDWS-622	¾"	¾"
FDWS-63	1"	NA
FDWS-633	1"	1"

Notes:

Boxes — Aluminum die-cast, corrosion-resistant copper-free alloy, epoxy powder coat finish.

Conduit Entries — Standard as listed.

Mounting — All of the above boxes are for surface mounting.

DuraTite® and Ever-Lok® Locking Connections

Adapter Flush Frames*

GANGS	CAST ALUMINUM	CAST BRASS	OVERALL DIMENSIONS
1	3671A	3681	5" x 3.5"
2	3672A	3682	5" x 6.5"

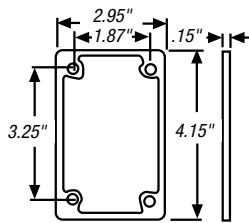
* Furnished complete with gasket and screws.

Material — Cast aluminum, corrosion-resistant copper-free alloy, epoxy powder-coat finish. Cast brass, natural finish.



Blank Cover*

Covers Standard FS/FD™ box openings.

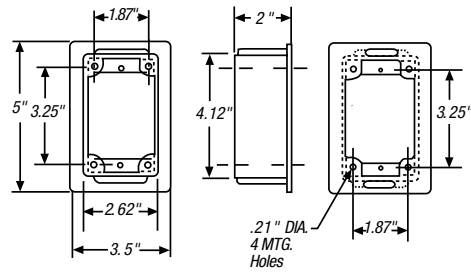


CAT. NO.	MATERIAL
3677A	Cast Aluminum
3687	Cast Brass

* Furnished complete with gasket and screws.

Material — Cast aluminum, corrosion-resistant copper-free alloy, epoxy powder-coat finish. Cast brass, natural finish.

Flush Wall-Mounting Extension*



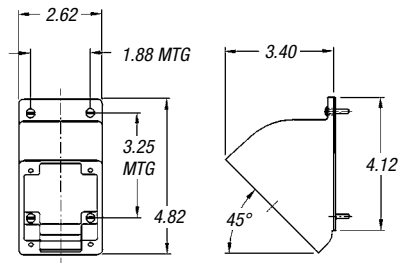
CAT. NO.	MATERIAL
3679A	Cast Aluminum
3679B	Cast Brass

* Furnished complete with gasket and screws.

Material — Cast aluminum, corrosion-resistant copper-free alloy, epoxy powder-coat finish. Cast brass, natural finish.

45° Angle Adapter*

Mounts to any FS/FD™ box.



Catalog Number 3678A

CAT. NO.	MATERIAL
3678A	Cast Aluminum
3678B	Cast Brass

* Furnished complete with gasket and screws.

Material — Cast aluminum, corrosion-resistant copper-free alloy, epoxy powder-coat finish. Cast brass, natural finish.

Adapter Sub-Plate

The addition of this adapter sub-plate will permit the use of Ever-Lok® conduit box-type receptacles in switch boxes or outlet boxes with raised covers, as listed. Used on standard (deep) stamped metal conduit boxes. Adapts two-hole to four-hole patterns.



CAT. NO.	MATERIAL
8091A	Cast Aluminum

DuraTite® and Ever-Lok® Locking Connections

Combination Gland Nut and Cable Clamp



Provides extra clamping protection in hard service applications. Relieves terminals and rubber gland of all cable strain.

PLUG OR CONNECTOR SIZE	CAST ALUMINUM CAT. NO.	CAST BRASS CAT. NO.	MAX. CABLE DIA.
10 Amp	3905	3905B	.62"
20 Amp	3906	3906B	1.12"
30 Amp	—	—	—

Material — Cast aluminum, corrosion-resistant copper-free alloy, epoxy powder-coat finish, cast brass.

Conduit Adapters



Adapter tapped with NPT thread to accommodate armored and non-metallic cable or flexible conduit.

PLUG OR CONNECTOR SIZE	CAST ALUMINUM CAT. NO.	CAST BRASS CAT. NO.	TAPPED HOLE NPT
15 Amp	FSA11	FSA11B	.5"
	FSA12	FSA12B	.75"
30 Amp	FSA21	FSA21B	.5"
50 Amp	FSA22	FSA22B	.75"
	FSA23	FSA23B	1"

Cable Bushings

HOLE DIAMETER FOR CABLE	SIZE 1 MIDGET EVER-LOK	SIZE 2 STD. 15 AMP	SIZE 3 20, 30 AND 50 AMP
.250"	MG0	—	—
.313"	—	SG05	—
.375"	—	SG1	JG31
.438"	MG15	SG15	—
.500"	MG2	SG2	JG32
.531"	—	SG2A	—
.563"	MG25	SG25	JG325
.594"	MG2B	SB2B	—
.625"	—	SG3	JG33
.688"	—	SG3A	—
.750"	—	SG4	JG34
.875"	—	—	JG35
1.000"	—	—	JG36*
1.125"	—	—	JG361**

Material — Oil-resistant Neoprene.

Size 3 Cable Bushing:

* Style for maximum cable only.

** Special minimum wall style.

Notes:

Bushing specials available at time of order.

When standard plugs or connectors are required to be furnished with one or more of the above accessories, add the suffix and catalog number of the accessory selected to the catalog number of the plug or connector. Complete list price is the total of the list price of the device plus the list price of the accessory.

Example — Catalog No. SKP3G with adapter tapped 3/8" would be Catalog No. SKP3G/JG31.



Size 2
Cable Bushing



Size 3
Cable Bushing